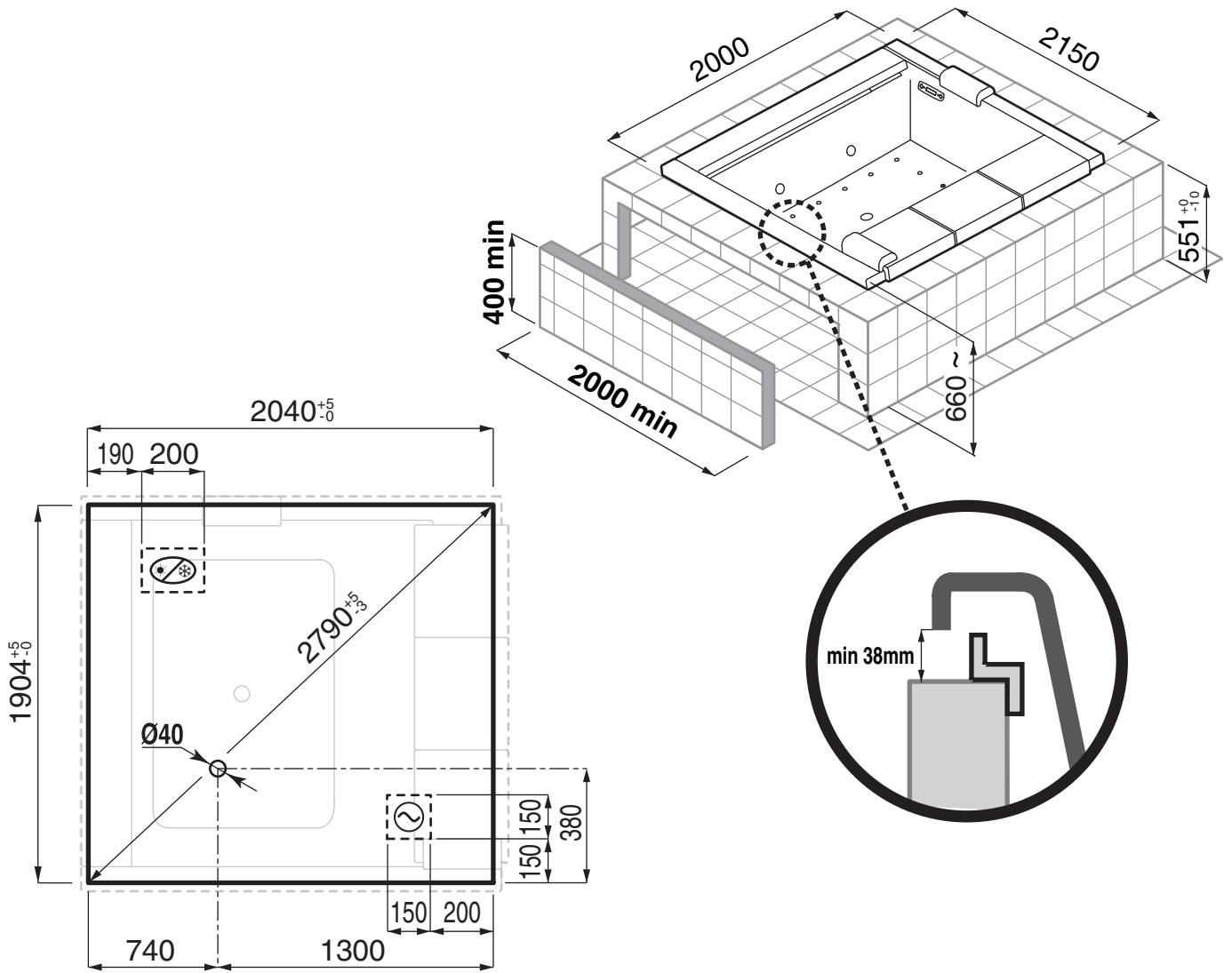


with tap on rim of bathtub

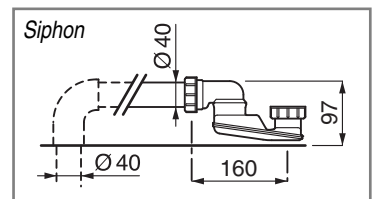


CUTOUT FOR BUILT-IN BATHTUB

Measurements in mm.

- ☀ - Hot water connection for 1/2" tap fittings
- ❄ - Cold water connection for 1/2" tap fittings"
- ~ - IPX5 box with PG13.5 and PG9 cable clamps
 - ELECTRICAL CONNECTION
 - ALARM SYSTEM CONNECTION

N.B. Measurements must be taken once the floors and walls are finished.



INSTALLATION OF THE BUILT-IN BATHTUB

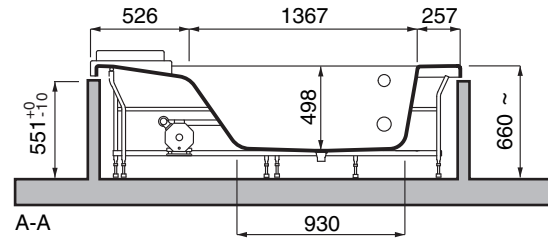
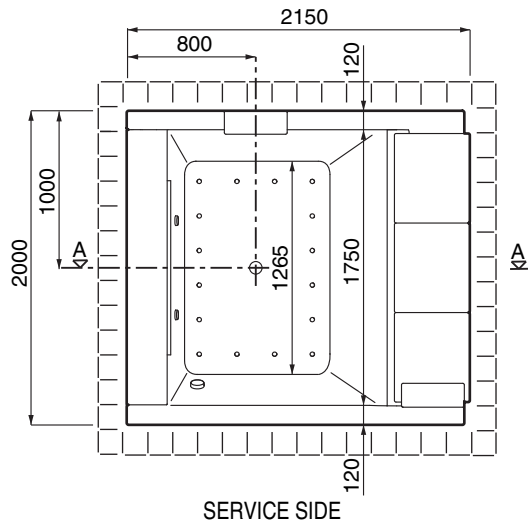
A FULL-LENGTH REMOVABLE PANEL must be provided ALONG THE FRONT OF THE TUB, allowing inspection and ventilation of the whirlpool system. When making the panel, follow the dimensions indicated in the diagram.

The panel must be fastened securely in place (e.g. with screws) so that a tool must be used to remove it, as provided for by current safety standards.

ART. T07					HYDRAULIC CHARACTERISTICS	ELECTRICAL CHARACTERISTICS			
Net Weight Kg.	Water Content (1) lt.	Floor Load Kg/m²	Delivery Weight Kg.	Delivery Volume m³	Blower	Whirlpool Art.	V	Hz	Installed Power kW
					Air Flow l/m.				
165	680	260	180	3,2	280	2WLK28	230	50	2,4

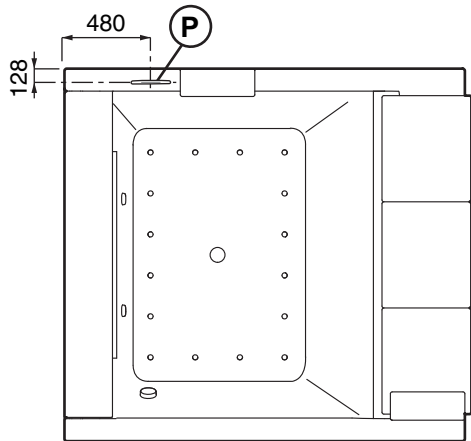
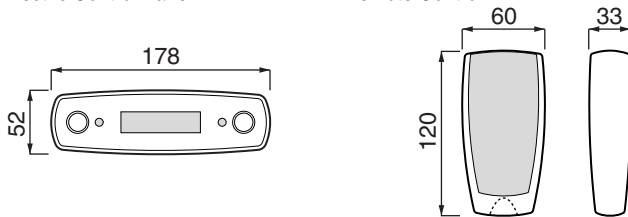
(1) - At overflow level

ART. T07

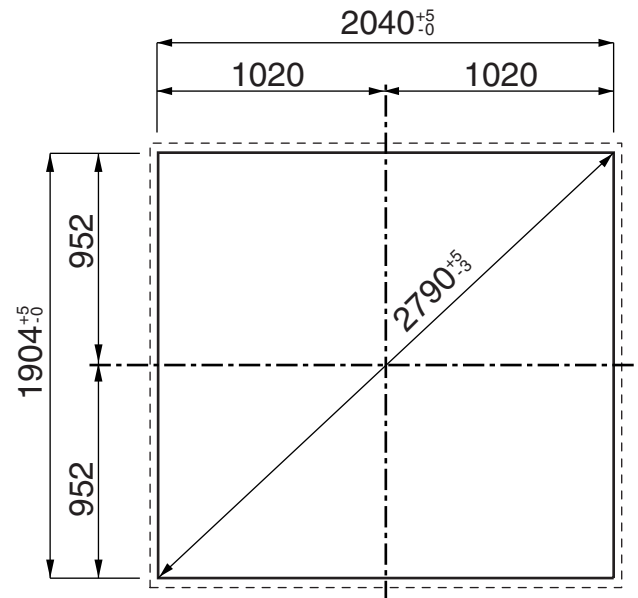


P - Electric Control Panel

Remote Control



CUTOUT FOR BUILT-IN BATHTUB



ELECTRICAL INSTALLATION

- The electrical power supply system must be in compliance with national statutory regulations.
- The appliance must be connected to the power supply by way of an isolating switch (I) with minimum contact separation of 3 mm, sited away from areas 0, 1, 2 and 3 (IEC 364-7-701).
- Make certain the appliance is connected to the power source by way of a residual current device with minimum threshold ≤ 30 mA.
- The electrical connection (\sim) must include a connection to the earth system and must be:

- permanent
- able to handle the rated current (see data plate).
- specified to liquids ingress protection category IPX5.

EQUIPOTENTIAL BONDING

The appliance must be equipotentially bonded by making the connection to the terminal positioned at the base of the electric motor/pump unit.



CONNECTION FOR ALARM SYSTEM

The product is prewired for connection to the bathroom alarm system (open/close contact, voltage-free).

HYDRAULIC INSTALLATION

Prepare hot and cold water connections for water supply and the drain connection.

When the water from the main is hard water, the installation of a water-softener is advisable to ensure the efficient working of the hydromassage.